

Volume of a Rectangular Prism

Name _____

Key Concept and Vocabulary

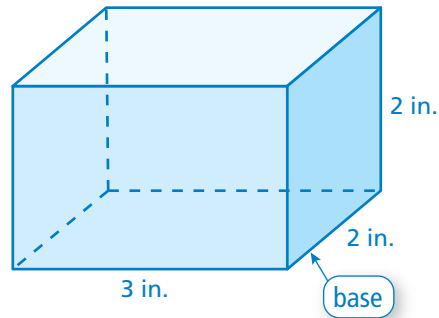
Volume is base area times height.



$$\begin{aligned} \text{Base area} &= 3 \times 2 \\ &= 6 \text{ in.}^2 \end{aligned}$$

base area height

$$\begin{aligned} \text{Volume} &= 6 \times 2 \\ &= 12 \text{ in.}^3 \end{aligned}$$



Volume is measured in cubic units.



PRACTICE MAKES PURR-FECT™

Check your answers at BigIdeasMath.com.

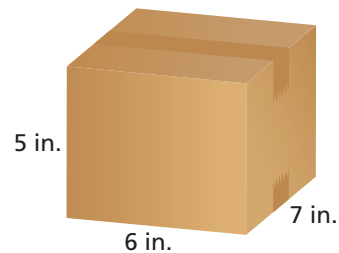
Find the volume of the prism. Include the units in your answer.

1.



$$\text{Volume} = 24 \times 8 = 192 \text{ in.}^3$$

2.



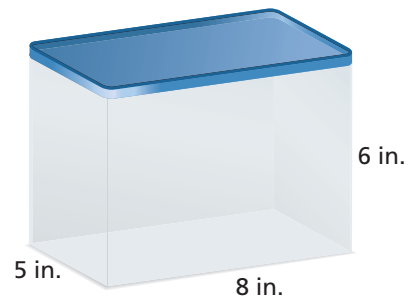
$$\text{Volume} = 42 \times 5 = 210 \text{ in.}^3$$

3.



$$\text{Volume} = 64 \times 3 = 192 \text{ in.}^3$$

4.



$$\text{Volume} = 40 \times 6 = 240 \text{ in.}^3$$

5. Circle the box that has the greatest volume.

